

H Y D R U S[®]

SPECIFICATION SHEET
Hydrus Softening Systems





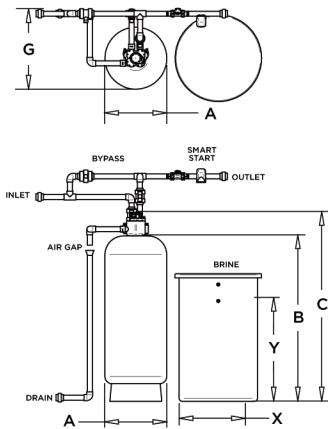
	Flow @ 15 psi/ 1.03 bar Loss US gpm (Lps)	Flow @ 30 psi/ 2.06 bar Loss US gpm (Lps)	Backwash Flow Rate Per Tank US gpm (Lps)	Resin Volume Per Tank ft ³ (Liters)	Regeneration Volume Per Tank US gal (Liters)	Regeneration Efficiency (gr CaCO ₃ / lb NaCl.)	Regeneration Time Per Tank (min)	By-pass	Tanks
SIMPLEX									
H118s	45 (2.84)	64 (4.04)	8 (0.50)	5 (142)	391 (1480)	3,333	120	HW	(1) 18 × 65
H121s	55 (3.47)	78 (4.92)	10 (0.63)	6 (170)	441 (1669)	3,333	120	HW	(1) 21 × 62
H124s	65 (4.10)	92 (5.80)	15 (0.95)	8 (227)	563 (2131)	3,333	120	HW	(1) 24 × 65
H130s	72 (4.54)	101 (6.37)	20 (1.26)	12 (340)	853 (3229)	3,333	150	HW	(1) 30 × 72
H136s	78 (4.92)	110 (6.94)	30 (1.89)	18 (510)	1,264 (4785)	3,333	150	HW	(1) 36 × 72
H142s	81 (5.11)	115 (7.26)	40 (2.52)	26 (736)	1,587 (6007)	3,333	150	HW	(1) 42 × 72
DUPLEX									
H218sOD	90 (5.68)	128 (8.08)	8 (0.50)	5 (142)	304 (1151)	>4000	120	None	(2) 18 × 65
H221sOD	110 (6.94)	156 (9.84)	10 (0.63)	6 (170)	347 (1314)	>4000	120	None	(2) 21 × 62
H224sOD	130 (8.20)	184 (11.61)	15 (0.95)	8 (227)	453 (1715)	>4000	120	None	(2) 24 × 65
H230sOD	144 (9.08)	202 (12.74)	20 (1.26)	12 (340)	807 (3055)	>4000	150	None	(2) 30 × 72
H236sOD	156 (9.84)	220 (13.88)	30 (1.89)	18 (510)	1,187 (4493)	>4000	150	None	(2) 36 × 72
H242sOD	162 (10.22)	230 (14.51)	40 (2.52)	26 (736)	1,640 (6208)	>4000	150	None	(2) 42 × 72
TRIPLEX									
H318sOD	135 (8.52)	192 (12.11)	8 (0.50)	5 (142)	304 (1151)	>4000	120	None	(3) 18 × 65
H321sOD	165 (10.41)	234 (14.76)	10 (0.63)	6 (170)	347 (1314)	>4000	120	None	(3) 21 × 62
H324sOD	195 (12.30)	276 (17.41)	15 (0.95)	8 (227)	453 (1715)	>4000	120	None	(3) 24 × 65
H330sOD	216 (13.63)	303 (19.12)	20 (1.26)	12 (340)	807 (3055)	>4000	150	None	(3) 30 × 72
H336sOD	234 (14.76)	330 (20.82)	30 (1.89)	18 (510)	1,187 (4493)	>4000	150	None	(3) 36 × 72
H342sOD	243 (15.33)	345 (21.77)	40 (2.52)	26 (736)	1,640 (6208)	>4000	150	None	(3) 42 × 72



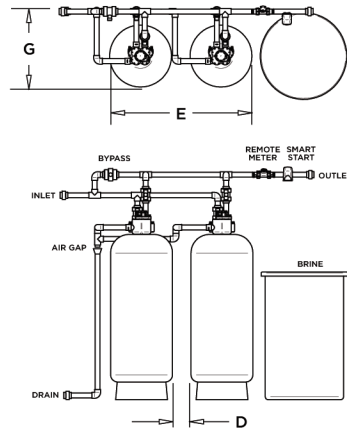
System Type	A	B	C	D	E	F	G
	in (mm)	in (mm)	in (mm)	in (mm)	in (mm)	in (mm)	in (mm)
HS X18s	18 (457)	67 (1702)	79 (2007)	4 (102)	40 (1016)	62 (1575)	28 (711)
HS X21s	21 (533)	67 (1702)	79 (2007)	4 (102)	46 (1168)	71 (1803)	31 (787)
HS X24s	24 (610)	67 (1702)	78 (1981)	4 (102)	52 (1321)	80 (2032)	34 (864)
HS X30s	30 (762)	86 (2184)	98 (2489)	4 (102)	64 (1626)	98 (2489)	40 (1016)
HS X36s	36 (914)	86 (2184)	98 (2489)	4 (102)	76 (1930)	116 (2946)	46 (1168)
HS X42s	42 (1067)	98 (2489)	109 (2769)	4 (102)	88 (2235)	134 (3404)	52 (1321)

Note A: The "X" in the system size description refers to the number of tanks: Simplex = 1, Duplex = 2, Triplex = 3

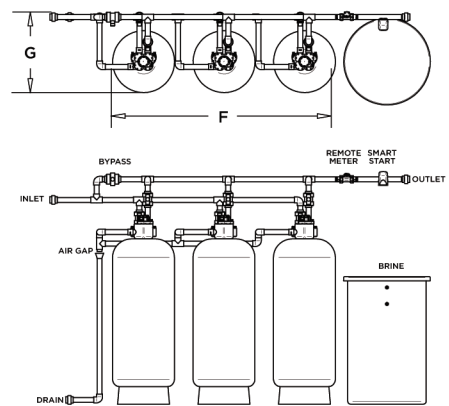
SIMPLEX



DUPLEX



TRIPLEX



Brine Tank Size	X	Y
	in (mm)	in (mm)
24 x 50	24 (610)	50 (1270)
30 x 48	30 (762)	48 (1219)
50 x 60	50 (1270)	60 (1524)
39 x 60	39 (991)	60 (1524)

Hydrus Connection Detail

Inlet	*
Outlet	*
Drain	*
Brine	1/2 tubing

* Adapters available in:

- 2" MNPT
- 1.5" MNPT
- 2" MBSP

2" Flex connector is also available